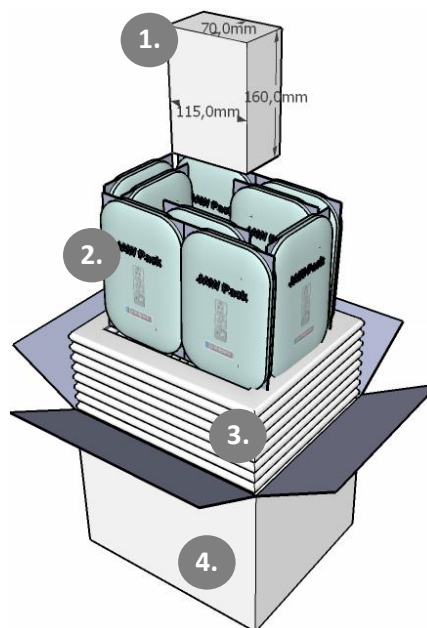


PHARMA SOLUTION 2°C - 8°C

10L - 72H – Warm Summer

Loading of the packaging

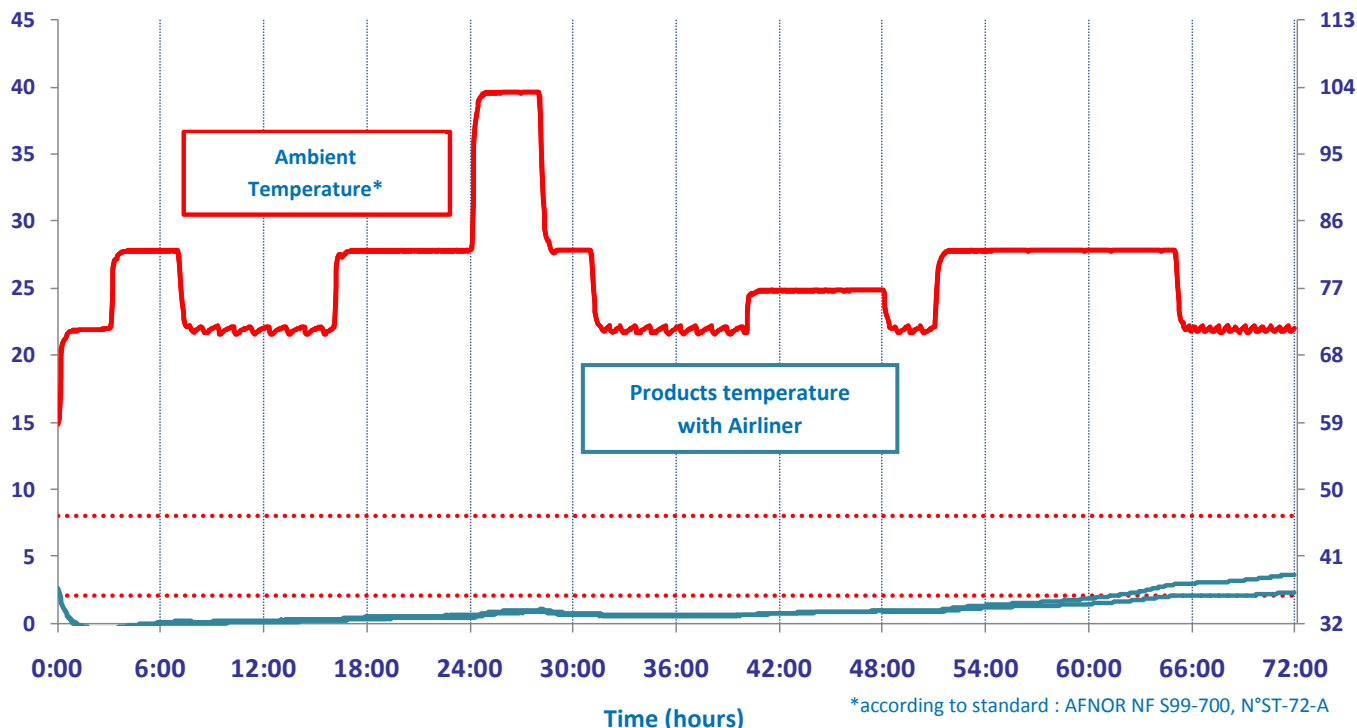
1. Pharmaceutical box containing thermosensitive products
2. 9 preconditioned eutectic gels – 680g
3. Airliner 41-003 inflated with Air
4. Corrugated outer box



Performance of the packaging

Temperature °C

Temperature °F



Specifications

Airliner reference : 41-003 inflated with Air	
Airliner external dimensions (L x W x H)	335 x 285 x 270 mm
Available space for the products (L x W x H)	115 x 70 x 160 mm
Gel specifications (L x W x H, weight)	235 x 164 x 25 mm, 680g

EUROPE

15 av. du Président
Salvadore Allende
94400 Vitry sur Seine

Tel : +33 1 53 14 11 11
Fax : +33 1 53 14 11 00
FRANCE

USA

9020 Activity Road
Suite A
San Diego, CA 92126

Tel: +1 866 586 0800
Fax: +1 858 547 8226

www.coldpack.com

